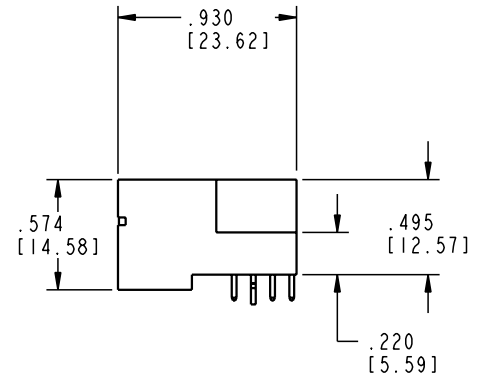
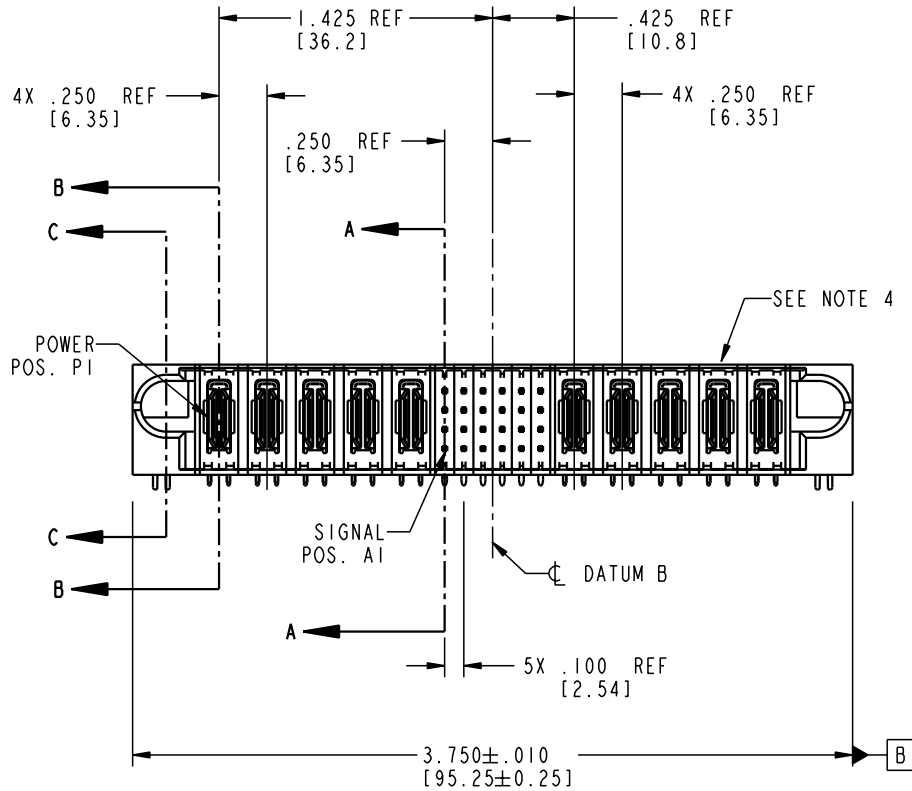


Tous droits strictement réservés. Reproduction ou communication o des liens interdite sous quelque forme que ce soit sans autorisation écrite du propriétaire. Propriété de c FCI. Droits de reproduction FCI.

All rights strictly reserved. Reproduction or issue to third parties in any form whenever is not permitted without written authority from the proprietor. Property of FCI. Copyright FCI.

PRODUCT NO.	ROWS	POWER					SIGNAL					POWER							
		E1	P1	P2	P3	P4	P5	1	2	3	4	5	6	P6	P7	P8	P9	P10	E2
51720-10502405AA	D C B A		PA	PA	PA	PA	PA	UUUUUU TTTTTT SSSSSS RRRRRR	PA	PA	PA	PA	PA	PA	PA	PA	PA	PA	



CODE	DIM "M" MATING LENGTH	CONTACT TYPE
R	.270 [6.86]	SIGNAL
S	.270 [6.86]	SIGNAL
T	.270 [6.86]	SIGNAL
U	.270 [6.86]	SIGNAL
PA	N/A [N/A]	POWER
HA	N/A [N/A]	HOLD-DOWN

mat'l code				SEE NOTE 2		tolerances unless otherwise specified		CUSTOMER		 www.fciconnect.com	
ltr	ecn no.	dr	date	linear	.XX±.01/0.X±0.3		COPY		title		
A	V03-1200	DAI	11/10/03		.XXX±.005/0.XXX±0.13		projection		5P +24S +5P		
					.XXX±.0020/0.XXX±0.051				RIGHT ANGLE SOLDER HEADER		
					° ± 2°				product family		
				dr	D. INGRAM	11/10/03	INCH/MM		PwrBlade		code
				engr	M. GRAY	11/10/03	scale		size		213
				chr	M. GRAY	11/10/03	1:1		dwg no		sheet
				appd	M. GRAY	11/10/03			A 51720-10502405AA		1 of 4
sheet index	revision sheet	A	A	A	A						
		1	2	3	4						

1 | 2

Pro/E

3 |

cage code 22526

4

PDM: Rev:A

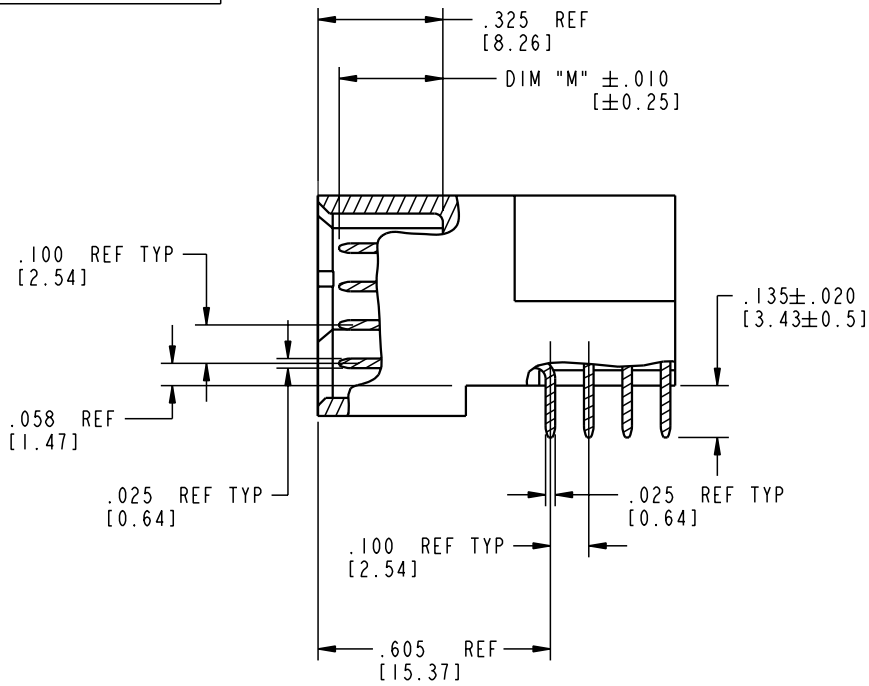
STATUS: Released

Printed: Aug 12, 2007

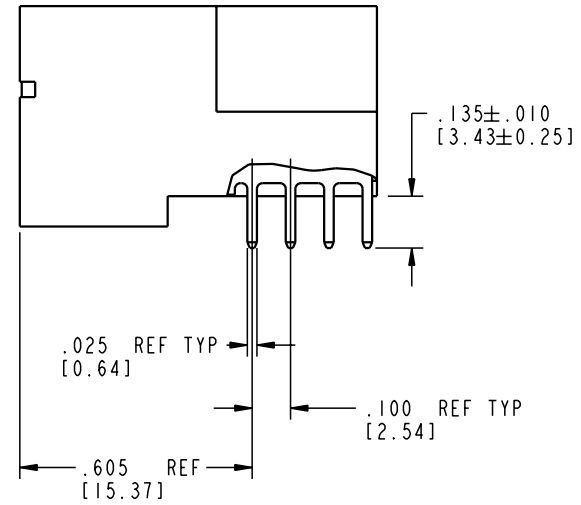
Tous droits strictement réservés. Reproduction ou communication o des tiers interdite sous quelque forme que ce soit sans autorisation écrite du propriétaire. Propriété de c FCI. Droits de reproduction FCI.

All rights strictly reserved. Reproduction or issue to third parties in any form, whenever is not permitted without written authority from the proprietor. Property of FCI. Copyright FCI.

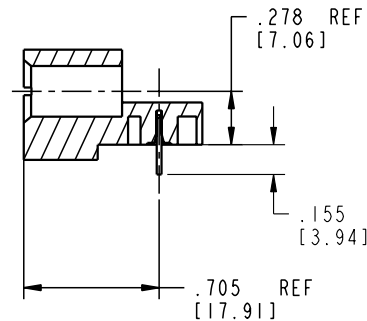
PRODUCT NUMBER  
51720-10502405AA





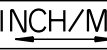
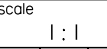
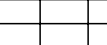
BROKEN-OUT SECTION A-A  
SCALE 2:1



BROKEN-OUT SECTION B-B  
SCALE 2:1



SECTION C-C

mat'l code				SEE NOTE 2		tolerances unless otherwise specified		CUSTOMER		 www.fciconnect.com	
ltr	ecn no.	dr	date	linear	.XX±.01/0.X±0.3	projection		COPY		title	
A				angles	.XXX±.005/0.XX±0.13					5P +24S +5P	
				dr	.XXX±.0020/0.XXX±0.051					RIGHT ANGLE SOLDER HEADER	
				enr	0° ± 2°	INCH/MM		product family		code	
				chr		scale		PwrBlade		213	
				appd		1:1		size		sheet	
								A		2 of 4	
sheet index		revision sheet									

cage code 22526

Pro/E

PDM: Rev:A

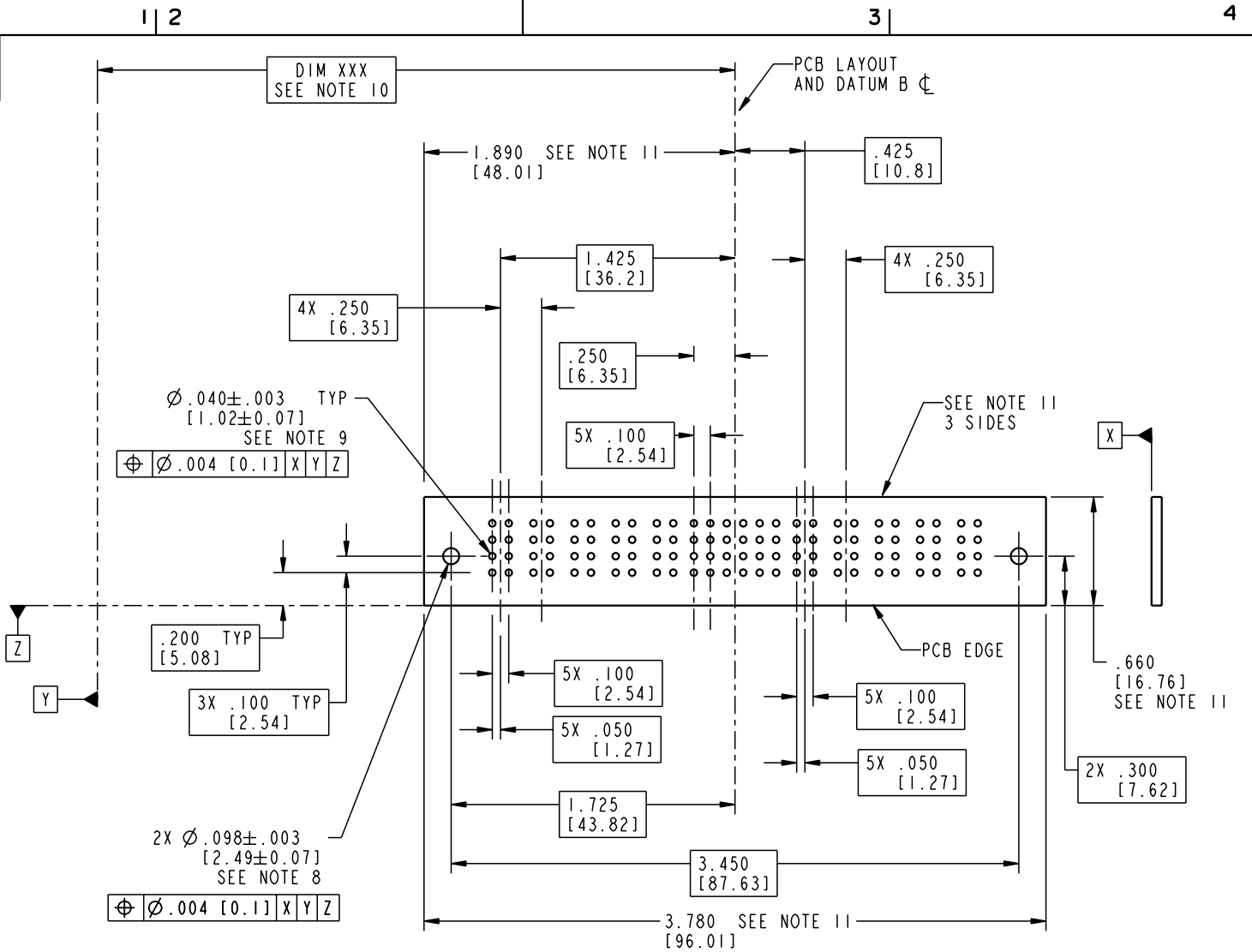
STATUS: Released

Printed: Aug 12, 2007

Tous droits strictement réservés. Reproduction ou communication o des tiers interdite sous quelque forme que ce soit sans autorisation écrite du propriétaire. Propriété de c FCI. Droits de reproduction FCI.

All rights strictly reserved. Reproduction or issue to third parties in any form, whatever is not permitted without written authority from the proprietor. Property of FCI. Copyright FCI.

PRODUCT NUMBER  
51720-10502405AA



RECOMMENDED PCB LAYOUT

mat'l code				SEE NOTE 2		tolerances unless otherwise specified		CUSTOMER		 www.fciconnect.com	
ltr	ecn no.	dr	date	linear	.XX±.01/0.X±0.3	projection	COPY		title		
A				angles	.XXX±.005/0.XX±0.13				5P +24S +5P		
				dr	.XXX±.0020/0.XXX±0.051	INCH/MM			RIGHT ANGLE SOLDER HEADER		
				enr	D. INGRAM 11/10/03	scale			product family		code
				chr	M. GRAY 11/10/03	1:1			PwrBlade		213
				appd	M. GRAY 11/10/03				size		sheet
sheet index		revision sheet						A		3 of 4	
								51720-10502405AA			

cage code 22526

Pro/E

Tous droits strictement réservés. Reproduction ou communication o des tiers interdite sous quelque forme que ce soit sans autorisation écrite du propriétaire. Propriete de c FCI. Droits de reproduction FCI.

**A**  
**FCI**

All rights strictly reserved. Reproduction or issue to third parties in any form, whatever is not permitted without written authority from the proprietor. Property of FCI. Copyright FCI.

**B**

PRODUCT NUMBER  
**51720-10502405AA**

NOTES:

1. DIMENSIONS AND TOLERANCES ARE IN ACCORDANCE WITH ASME Y14.5M, 1994 UNLESS OTHERWISE SPECIFIED.

CONNECTOR NOTES:

- 2. HOUSING MATERIAL: UL 94 V-0 GLASS FILLED  
HIGH-TEMP THERMOPLASTIC  
POWER CONTACT MATERIAL: COPPER ALLOY  
SIGNAL PIN MATERIAL: COPPER ALLOY
- 3. PLATING:  
SIGNAL PINS: 30u"/0.76um Au OVER 50u"/1.27um Ni  
POWER CONTACTS: 50u"/1.27um Ni UNDER ALL  
WITH 30u"/0.76um Au ON CONTACT AREA  
AND SnPb ON PCB INTERFACE

4. MANUFACTURER'S NAME, P/N, AND DATE CODE TO APPEAR ON THIS SURFACE.

5. PRODUCT SPECIFICATION GS-12-149.  
APPLICATION SPECIFICATION BUS-20-067.

6. PACKAGED IN TRAYS.

PCB NOTES:


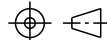
7. ALL HOLE DIAMETERS ARE FINISHED HOLE SIZE.

8. MOUNTING HOLES, WHERE APPLICABLE, ARE UNPLATED.

9.  $\varnothing .0453 \pm .0010$  [1.151  $\pm$  0.025] DRILLED HOLES PLATED WITH .0003 [0.008] MIN SnPb OVER .001 [0.03] TO .003 [0.08] Cu PLATING TO ACHIEVE  $\varnothing .040 \pm .003$  [1.02  $\pm$  .07] HOLE.

10. "DIM XXX" TO BE DETERMINED BY THE CUSTOMER.

11. CONNECTOR KEEP-OUT ZONE.

mat'l code		SEE NOTE 2		tolerances unless otherwise specified		CUSTOMER		 <b>FCI</b> www.fciconnect.com	
ltr	ecn no.	dr	date	linear	.XX±.01/0.X±0.3	COPY			
A				linear	.XXX±.005/0.XX±0.13	projection		title	
				angles	.XXX±.0020/0.XXX±0.051			5P +24S +5P RIGHT ANGLE SOLDER HEADER	
				dr	D. INGRAM 11/10/03	INCH/MM		product family	
				enr	M. GRAY 11/10/03	scale		PwrBlade	
				chr	M. GRAY 11/10/03	1:1		code	
				appd	M. GRAY 11/10/03			213	
sheet index		revision sheet						size	
								dwg no	
								A 51720-10502405AA	
								sheet	
								4 of 4	

**B**

1 | 2

3 |

4

1 | 2

Pro/E

3 |

cage code **22526**

4

**PDM: Rev:A**

STATUS: **Released**

Printed: Aug 12, 2007